

SOLUS 9

The Solus 9 is a high-intensity LED Task Light with light intensity comparable to that of a conventional 50W halogen light source. The energy consumption is significantly lower saving approximately 85% compared to halogen.

Standard features include dimmer functionality and IP65 rating on low voltage models making the product suitable for a wide variety of applications. The Sunnex flexible gooseneck provides vibration-resistant positioning and the LED light source emits virtually no heat.

Custom versions available upon request.

Features Include

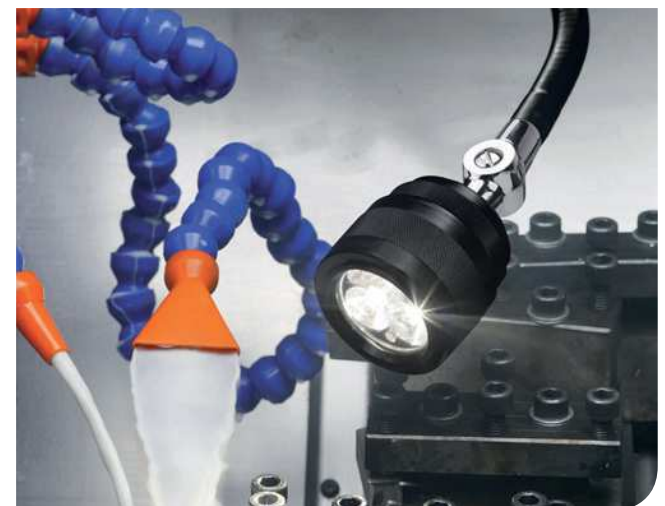
- Multi function
- Up to 36 000 Lux light output at 50cm
- Low energy consumption at 6W
- Colour Rendering Index (CRI) of 85 making the light suitable for colour-critical applications
- IP65 rating on low voltage models
- Dimmer switch in the durable aluminium lamp head

Applications

- Targeted at industry customers who needs task light with focused light intensity
- For customers with specific need of dimming in the high intensity segment

Benefits

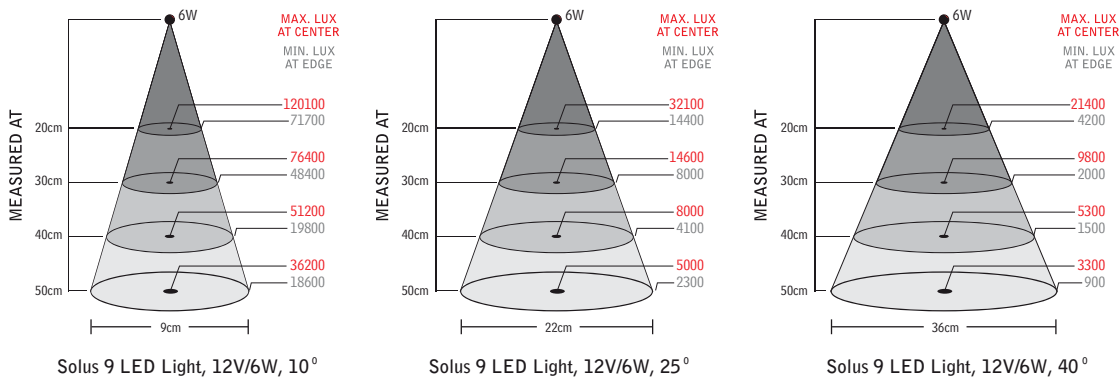
- Flexible gooseneck arm for easy positioning
- Rugged design
- High quality



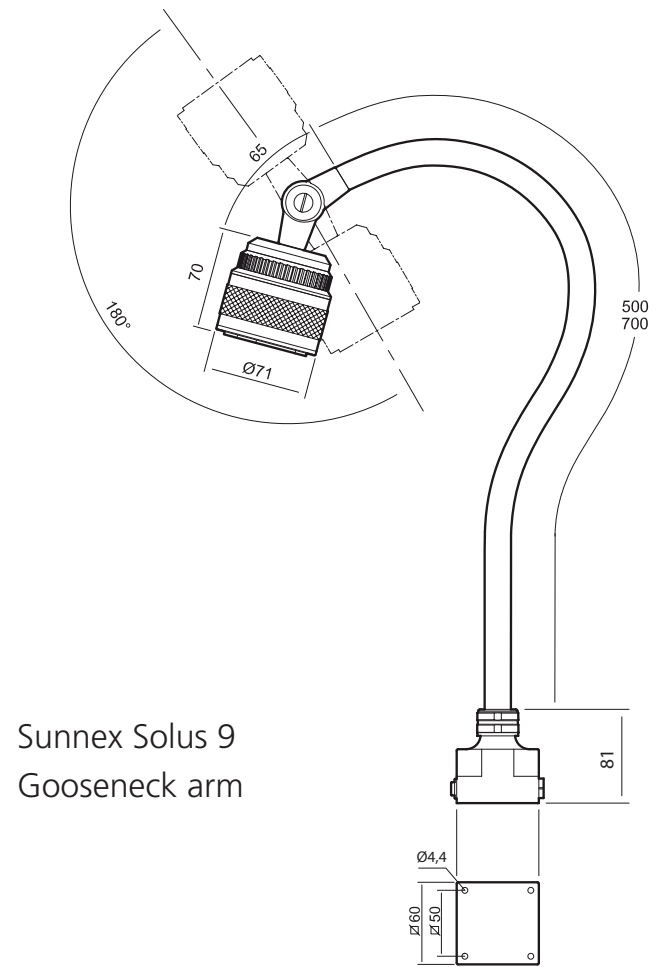


Technical Specifications

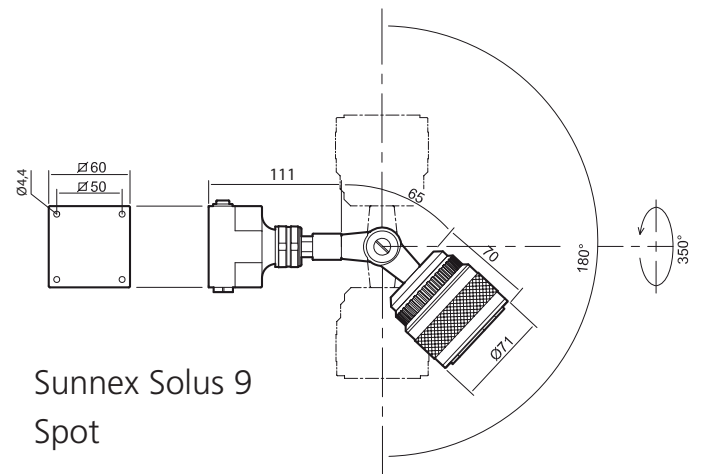
Input	12-24V AC/DC; 50/60Hz (100-240VAC Plugin AC/DC-adaptor available, IP44)
Power consumption	6W
Arm Length	500 or 700mm
Colour	Black
Colour temperature	4 300K
IP rating	IP65 (low voltage models)
Protection Class	Class III
Beam angle	10° standard (25° or 40° optional)
Light output	270Lm, 36 000 Lux at 50cm (10°)
Colour rendering index	CRI: 83
Weight	1.1kg (500mm), 1.2kg (700mm)
Life span	30.000 h
Dimmer	Standard



Model	Arm	Connection	Optics	Other	Part no.
Solus 9	500 mm	12-24V AC/DC	10°		33310
			25°		33310-25
	700 mm	12-24V AC/DC	10°		33330
			25°		33330-25
	500 mm-panel	12-24V AC/DC	10°	1m lead wires	33510
			25°		33510-25
	700 mm-panel	12-24V AC/DC	10°	1m lead wires	33530
			25°		33530-25
Solus 9 spot	Spot	12-24V AC/DC	10°	IP20	33360
			25°		33360-25



Sunnex Solus 9 Gooseneck arm



Sunnex Solus 9 Spot

PSU (100-240V~)



Plug-in Adaptor for Europe 230V 33901

Mounting Accessories



Magnetic base 12010



Table base 14015



C-Clamp 14020



Wall mount 14030

More info about Accessories see separate leaflet www.sunnex.se

SUNNEX HF 50W/75W HALOGEN

Sunnex HF is a powerful and stable machine light well suited for use in industries where cutting fluids, oils and moisture are present. Sunnex HF is fitted with Sunnex's classic flexible arm which is of extremely high quality. The lamp head is made of impact-resistant thermo-setting plastic, and an easy-to-grip handle means that the light shade is simple to adjust.

Sunnex HF is available with a 500 or 700 mm flexible arm, as well as in a spot version or with AAS arm with a reach of 1000 mm or 1250 mm. Examples of applications include spot lighting for external and internal placement in and on machine tools.

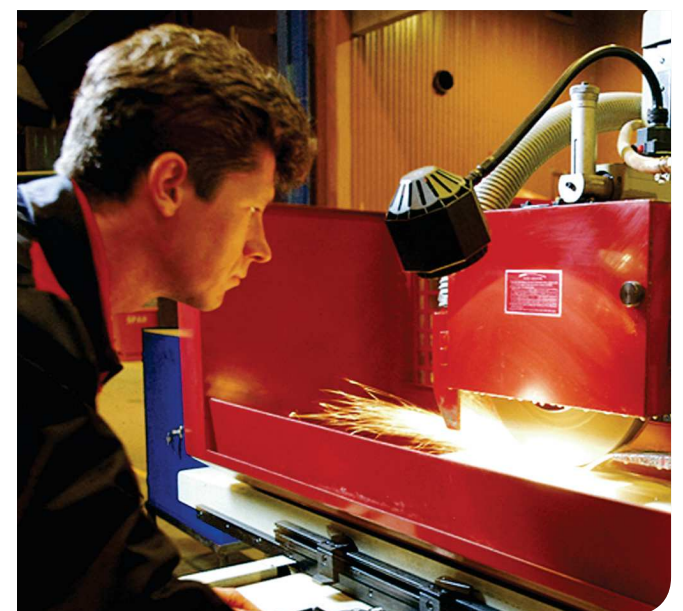
Sunnex HF Flex comes with either an integral transformer or in a low-voltage version for direct connection to machinery, and is available sealed to safety class IP20 or IP65. Available with a magnetic base, C-clamp, wall bracket or desktop base as mounting accessories.

Applications

- Workshop Machinery
- Machine tools
- Manufacturing Machinery
- Assembly Stations
- Point Lighting

Benefits

- Withstands really tough environments
- Flexible arm for precise control
- Available with articulated arm system (AAS)
- Protection class IP20 or IP65
- Various brackets available

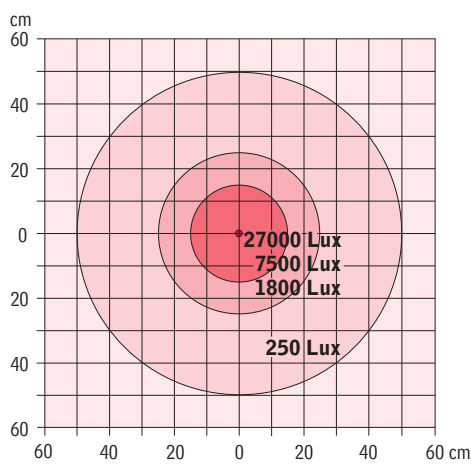




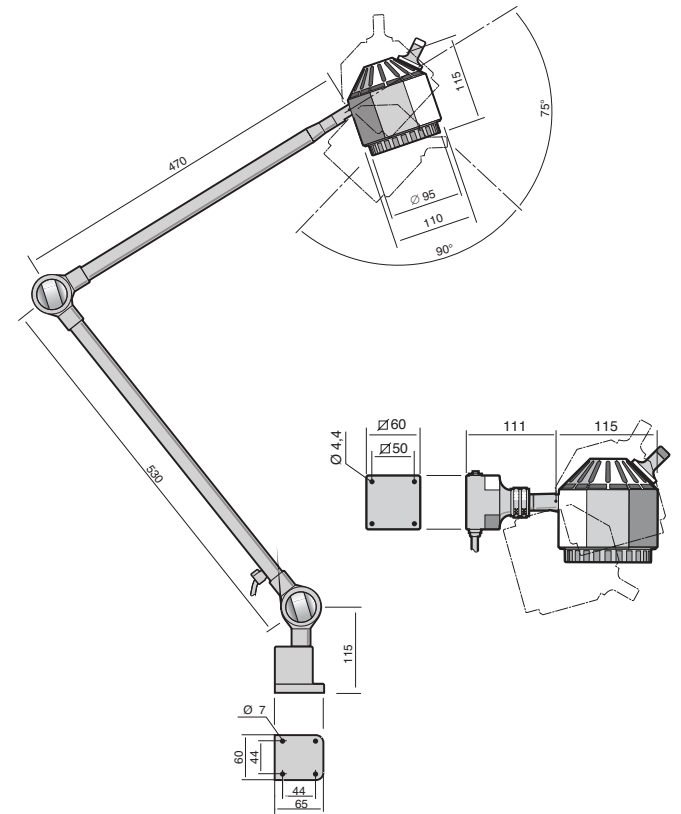
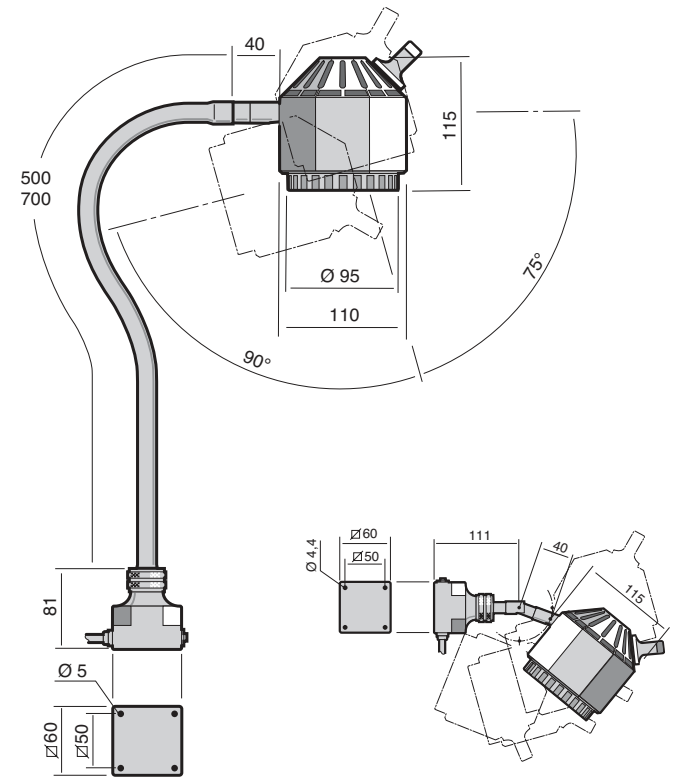
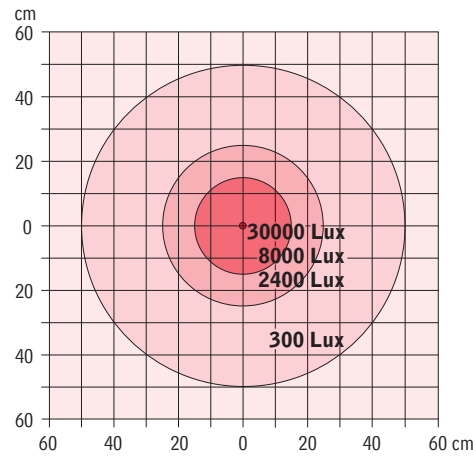
Technical Specifications

Supply voltage	230V/12V, 12V, 24V
Light source	Halogen 12V/24V/50W,75W
Lifetime, light source	Approx 2 000 h
Lamp head	With or without joint
Lens	Clear
Arm Length	500 or 700 mm
Colour	Black
Colour temperature	3000K
IP-rating	IP20 or IP65
Protection Class	Class II
Power switch	Placed in the base
Base	Equipped with four mounting holes
Colour rendering index	CRI 100
Cable length	2 m

Lux rating 50W - 0,5 m distance



Lux rating 75W - 0,5 m distance



Mounting Accessories



Magnetic base
12010



Table base
14015



C-Clamp
14020



Wall mount
14030

More info about
Accessories
see separate leaflet
www.sunnex.se



HF - FLEX 50W

Arm	Connection	Other	Art. no.
500 mm	230V		12420E
		Joint	12430E
		12V	12420
	24V	IP65	12420IP65
		Joint	12430
			12620
		IP65	12620IP65
		Joint	12630
700 mm	230V		12440E
		Joint	12450E
		12V	12440
	24V	IP65	12440IP65
		Joint	12450
			12640
		IP65	12640IP65
		Joint	12650

HF - FLEX 75W

Arm	Connection	Other	Art. no.
500 mm	12V		12520
		IP65	12520IP65
		Joint	12530
	24V		12720
		IP65	12720IP65
		Joint	12730
700 mm	12V		12540
		IP65	12540IP65
		Joint	12550
	24V		12740
		IP65	12740IP65
		Joint	12750

HF - SPOT 50W

Joint	Connection	Art. no.
Single	230V	12460E
	12V	12460
	24V	12660
Double	230V	12462E
	12V	12462
	24V	12662

HF - SPOT 75W

Joint	Connection	Art. no.
Single	12V	12560
	24V	12760
Double	12V	12562
	24V	12762

HF - AAS 50W

Arm	Connection	Other	Art. no.
1000 mm	12V		12920
		IP65	12920IP65
		24V	12922
1250 mm	12V	IP65	12922IP65
			12924
		IP65	12924IP65
	24V		12926
		IP65	12926IP65

HF - AAS 75W

Arm	Connection	Other	Art. no.
1000 mm	12V		12921
		IP65	12921IP65
		24V	12923
1250 mm	12V	IP65	12923IP65
			12925
		IP65	12925IP65
	24V		12927
		IP65	12927IP65

SUNNEX HS 20W HALOGEN

The shape of the Sunnex HS, in combination with its robust design and simple adjustment, has made the lamp a reliable industrial light for over 30 years.

Sunnex HS is fitted with Sunnex's classic flexible arm which is of extremely high quality and the lamp produces a extremely well focused spot light. Sunnex HS comes with either an integral transformer or in a low-voltage version for direct connection to machinery.

The light can also be supplied with a dimmer, and is available sealed to safety class IP20 or IP65. Sunnex HS is available with a 500 or 700 mm flexible, bendable arm, as well as in the form of a spot with both single and double joint.

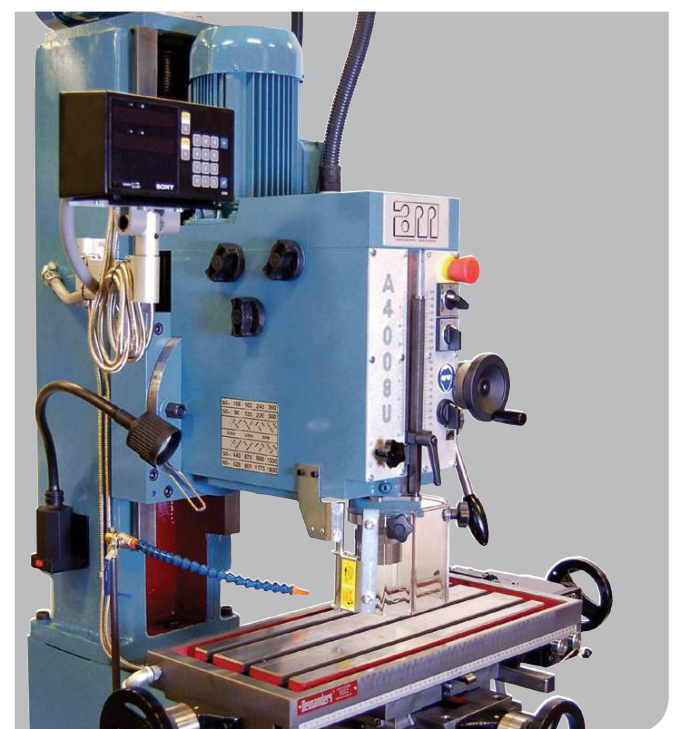
Examples of applications include spot lighting for manufacturing machines, machine tools, the graphic design, assembly work and precision mechanical work.

Applications

- Workshop Machinery
- Machine tools
- Point Lighting
- Monitoring and Inspection
- Assembly Work

Benefits

- Well-focused spot light
- Flexible arm for precise control
- With or without a joint in the lamp head
- Ergonomic design
- Various brackets available

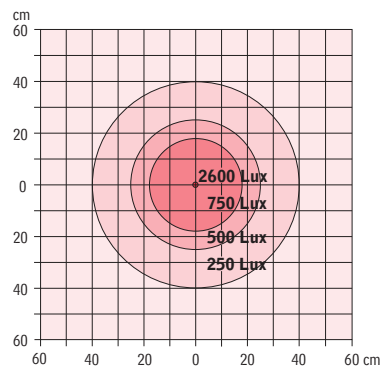




Technical Specifications

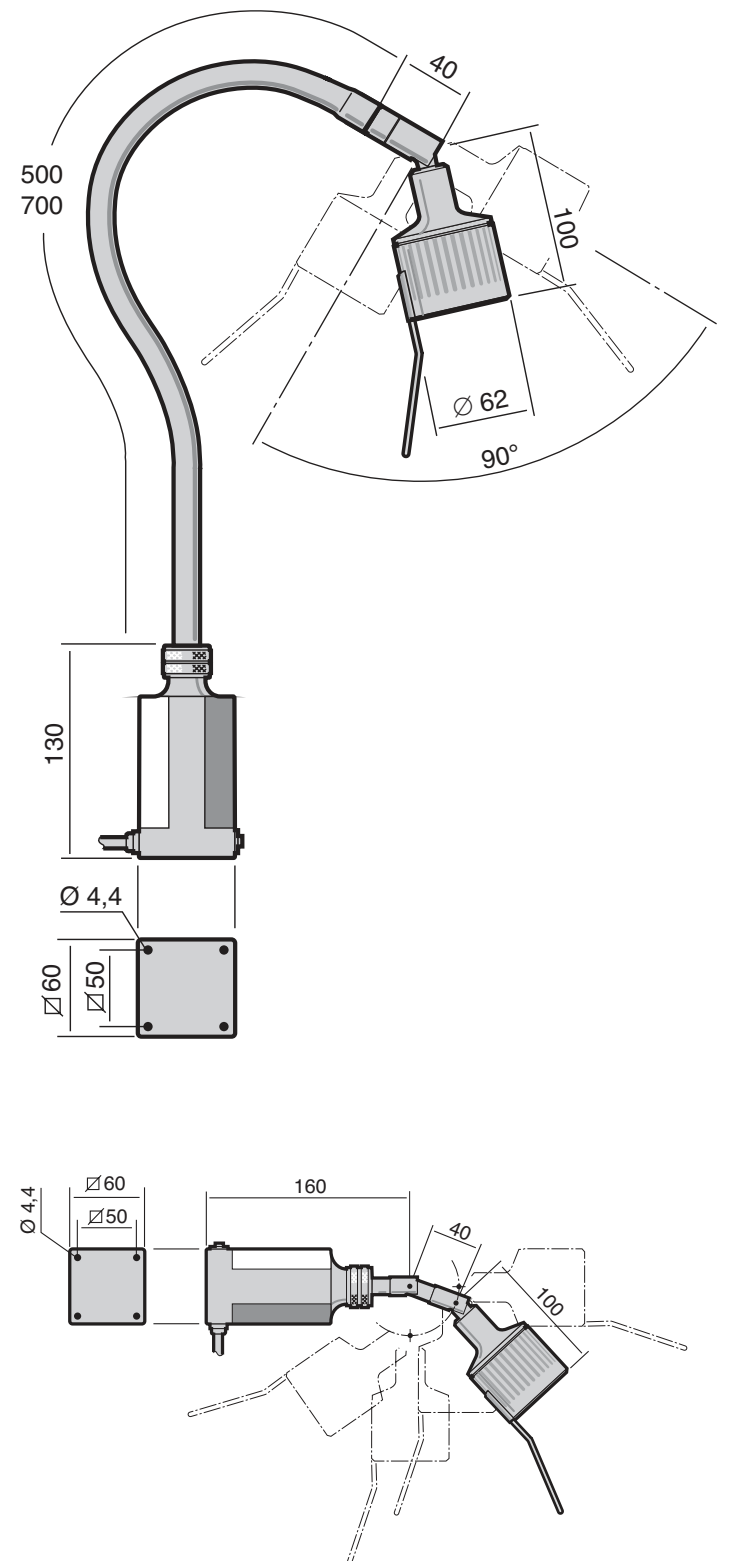
Supply voltage	230V/12V, 12V, 24V
Light source	Halogen 12V/24V/20W
Lifetime, light source	4 000 h
Lamp head	With or without joint
Lens	Clear
Arm Length	500, 700 mm or spot
Colour	Black
Colour temperature	3000K
IP-rating	IP20
Protection Class	Class II
Power switch	Placed in the base
Base	Equipped with four mounting holes
Colour rendering index	CRI 100
Cable length	2 m

Lux rating - 0,5 m distance



Model	Arm	Connection	Art. no.
HS - Flex	500 mm	230V	14100
		12V	14300
		24V	14400
HS - Spot	Single joint	230V	14160
		12V	14360
		24V	14460

For complete HS standard range, please see next page



Mounting Accessories



Magnetic base
14000



Table base
14015



C-Clamp
14020



Wall mount
14030

More info about
Accessories
see separate leaflet
www.sunnex.se



COMPLETE STANDARD RANGE, HS - FLEX 20W

Arm	Connection	Other	Art. no.
500 mm	230V		14100
		Joint	14110
	12V		14300
		Dimmer	14300DIM
		IP65	14300IP65
		Joint	14310
		Joint/Dimmer	14310DIM
			14400
	24V		14400
		Dimmer	14400DIM
		IP65	14400IP65
		Joint	14410
		Joint/Dimmer	14410DIM
			14420
700 mm	230V		14120
		Joint	14130
	12V		14320
		Dimmer	14320DIM
		IP65	14320IP65
		Joint	14330
		Joint/Dimmer	14330DIM
			14420
	24V		14420
		Dimmer	14420DIM
		IP65	14420IP65
		Joint	14430
		Joint/Dimmer	14430DIM
			14430

COMPLETE STANDARD RANGE, HS - SPOT 20W

Joint	Connection	Art. no.
Single	230V	14160
	12V	14360
	24V	14460
Double	230V	14163
	12V	14363
	24V	14463

TELLUS

Tellus is a versatile LED task light for industrial and other professional applications where flexibility is of importance. It's available in IP65 versions for use in harsh environments, dimmable versions are also available. Typical applications are lighting for machining industry, production equipment, inspection and in vehicles.

The aluminum lamp head and rugged arm make it usable in a variety of industrial and professional environments. Can be supplied with an external plugin 230V adapter. The adapter's protection class is IP44.

LED-technology delivers low energy consumption and long service life as well as high vibration durability and virtually no radiated heat in the light beam. The high CRI-value ensures high quality of the emitted light. 15° optics are fitted, interchangeable 20 & 30° optics are available.

Customized versions available upon request.

Features include

- Arm length 50 & 70cm with or without joint, spotlight
- LED Service life > 25.000h
- IP20, IP43 or IP65
- Dimmable versions
- 12-24V AC/DC
- AC/DC-adapter (100-240/12V, IP44), available as accessory

Applications

- Industrial & production applications
- Vehicles
- Machining industry
- Inspection & reading

Benefits

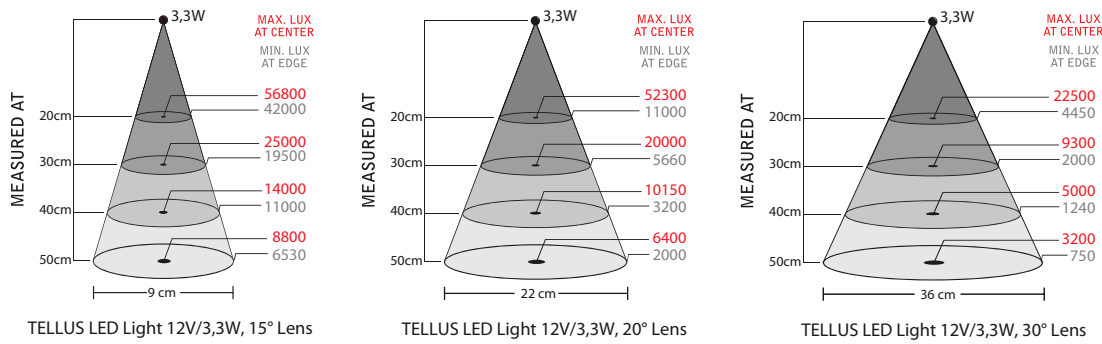
- Long service life
- High quality components
- Flexible arm
- Sturdy lamp head



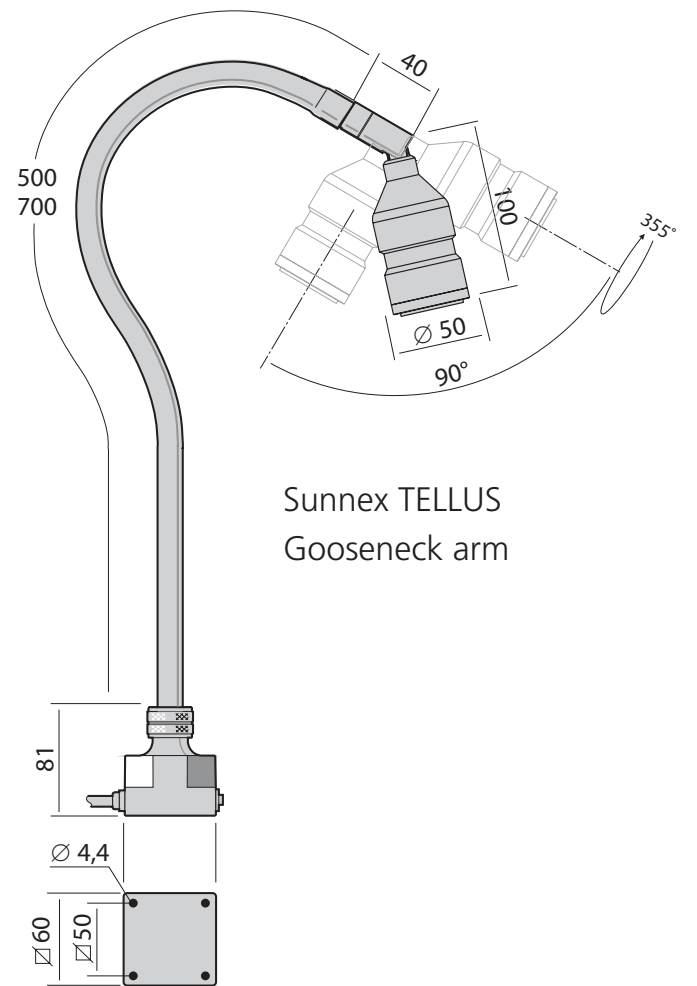


Technical specifications

Supply voltage	12-24V AC/DC, 1,9m cord set (100-240VAC Plugin AC/DC-adapter available, IP44)
Power consumption	3,3W
Arm length	500, 700 mm and spotlight
Colour	Black
Colour temperature	4000K
IP rating	IP20, IP43, IP65 depending on version
Protection class	Class III
Beam angle	15° (30° DIM). 20 & 30° available as option
Light output	230Lm, 8800Lx at 50cm distance using 15° optics
Colour rendering index	CRI: >92
Weight	0,6-1,0 kg
Life span	>25.000h



Model	Arm	Connection	Other	Part no.
Tellus	500 mm	12-24V AC/DC	IP43	34100
			Joint, IP20	34110
			IP65	34200
			DIM, IP20	34300
Tellus	700 mm	12-24V AC/DC	IP43	34120
			Joint, IP20	34130
			IP65	34220
			DIM, IP20	34320
Tellus Spot	40 mm	12-24V AC/DC	Single Joint, IP20	34160



Sunnex TELLUS Gooseneck arm



Sunnex TELLUS Lamp head

PSU (100-240V~)



Plug-in Adaptor for Europe 230V 33901

Mounting Accessories



Magnetic base 14000



Table base 14015



C-Clamp 14020



Wall mount 14030

More info about Accessories see separate leaflet www.sunnex.se